



**PROFESSIONAL TYING WIRE DISPENSING SYSTEM**

**REELFIX RAPID**<sup>TM</sup>

The safest and most efficient method of tying reinforcement...

Order a sample at [www.reelfix.com](http://www.reelfix.com) or call us on 0845 638 0733

## **REELFIXRAPID™**

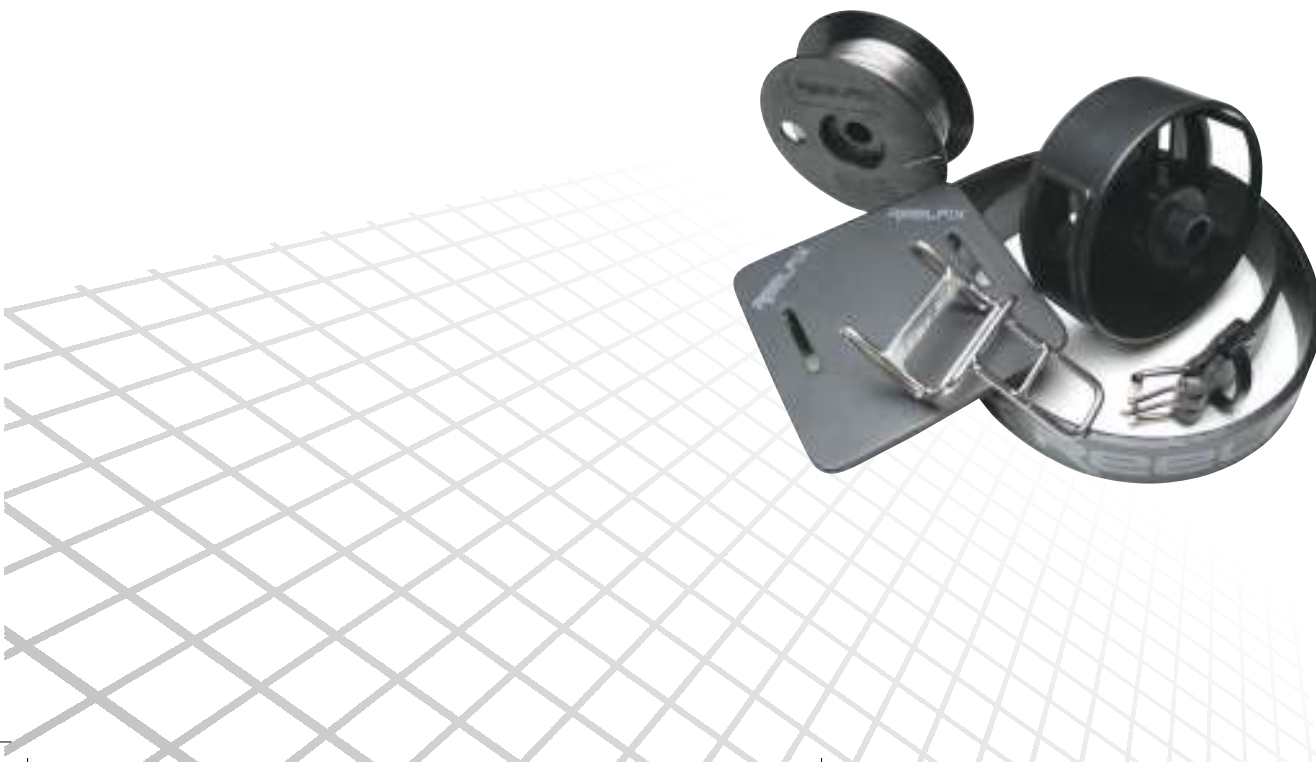
- Totally eliminates wire trip hazards
- No dragging wire eliminates "flying end" injuries
- Reduced back injury risk
- ZERO waste wire
- Improved housekeeping
- Allows hands free working
- Super fast pre pour cleaning
- Wire free work area for follow on trades
- Compliance with CDM duties

# Introduction – The Way Forward



The multi award winning Reelfix Rapid System has been developed as a simple, low cost solution to the many health and safety issues associated with the use of loose coiled tying wire for Steel Fixing. Since the products launch in June 2005, Reelfix has revolutionised the way Steel Fixers work, making the process vastly more efficient, less wasteful and much safer.

From simple problems such as the manual handling of 20kg coils of tying wire, to more serious concerns like wire trip hazards and flying end eye and face injuries, Reelfix delivers the solution simply and effectively by eliminating risk, reducing waste and facilitating a modern, proactive approach to hazard identification and management, as required in CDM regulations.



# Benefits

## Safety

### Wire Trip Hazards

Tying wire around the feet of a steel fixer, and unused lengths of wire left scattered around site pose a significant trip injury risk to all site operatives. By dispensing wire as required for each tie, Reelfix totally eliminates the risk.



### Flying End Injuries

When using loose tying wire, steel fixers will have the working end in hand while the other end is free to fly around or become snagged. The "flying end" is razor sharp and has been known to cause serious face and eye injuries as well as many minor cuts and scratches. Using Reelfix, only the working end of wire is exposed and is under control in the users hand. Wire is dispensed as used for each tie, offering a simple and highly effective risk management solution.



## Health

Steel fixers working from a loose coil of wire will cut a length, tie some rebar then return to the coil for more. This can occur every couple of minutes throughout the working day resulting in hundreds of unnecessary bending actions which greatly increase the risk of back injury. Issues have also been raised regarding the manual handling of coils which can weigh as much as 25 Kilos.

The Reelfix dispensing reel weighs less than 250 grams and carries a 2kg spool of wire, which can last the steel fixer around 8 hours. As it's worn around the waist, the wire is always at the users fingertips, resulting in a massive reduction in the amount of bending required of the steel fixers, thus reducing the threat of back strain or musculoskeletal disorder.

## Waste

Waste using loose coils of tying wire can be as much as 70%. Wire left out overnight can become rusty and unusable while unused lengths of wire (a major cause of tying wire trip accidents) discarded by steel fixers during the working day are commonplace on sites using loose wire. Reelfix solves this issue by dispensing the wire as required, and allows the user to rewind any excess back into the reel. Our wire is used 100% so unnecessary waste is ZERO.



**Pre pour cleaning.** *Unused lengths of loose tying wire trapped between the rebar layers usually need to be removed by hand, making pre pour cleaning prolonged and labour intensive. Using the Reelfix system has been proven to reduce pre pour cleaning times by half. No unused lengths of wire means slabs can be quickly and easily blown out, cutting program times and labour costs.*

## Efficiency

Reelfix gives the user a constant supply of tying wire at their fingertips. The wire goes wherever the steel fixer goes without the stop-start process when using loose wire. Having the wire in the reel gives the user two hands free to handle and place rebar along with unprecedented freedom of movement. All of this adds up to a significant increase in productivity and improved moral amongst the steel fixers.



# Applications

## Prefabricating

Prefabbing of columns, beams and walls helps steel fixers stay ahead of the game. In-situ fixing times are reduced, as is the need for scaffold on vertical works. Reelfix lends itself perfectly to the pre-fabbing process by allowing the user freedom to move around the work piece without the need to drag lengths of wire around. This eliminates any risk of tripping on wire or wire becoming snagged on trestles, rebar etc.



## Tying Slab Reinforcement

Reelfix dispenses tying wire smoothly and effortlessly. It's guaranteed not to tangle or jam inside the reel, and will deliver a constant supply of wire whenever and wherever needed. This makes Reelfix perfect for fixing slab rebar, giving the user unrestricted movement across the rebar mat, without the need to drag lengths of loose wire.



# Confined Spaces

When working in confined spaces, it is imperative to keep the area around the feet as clear as possible of obstacles and materials. Loose tying wire has no place in this environment for obvious reasons. Reelfix dispenses the wire from the reel as required for each tie. This gives the user freedom of movement without the risk of tripping on lengths of tying wire, making such tasks not only safer, but vastly more efficient.



South Hook LNG, Milford Haven



## Working on Scaffold or Slip-form

When working at height on scaffold or slip-form, it is imperative that walkways and platforms are kept tidy and trip hazard free. By using Reelfix in such situations, any risk of tying wire trip accidents is totally eliminated, steel fixers are able to work more efficiently and follow-on trades benefit from a wire free working environment.

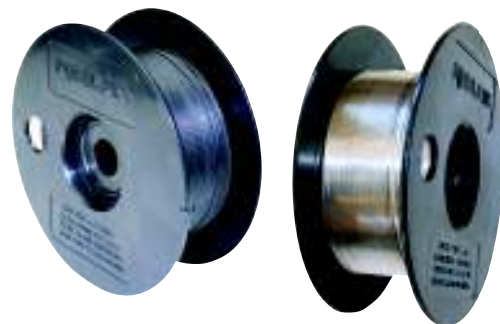
# Products

There's over 20 years experience working with rebar behind the Reelfix Rapid design. The dispensing reel is a robust unit, capable of withstanding even the most challenging site conditions, while delivering an uncomplicated, easy to use solution. Our bespoke heavy duty leather belt, support pad and tape/nip frog complete the set.

## Tying Wire

Refill spools are pre wound with 2kg of premium quality, fully annealed tying wire. Available from stock in Black Annealed certified to BS 4482 or Stainless 304 to BS EN 10088-3.

RAP/2KGB	2kg 17 Gauge/1.45mm (140M) Black Annealed
RAP/2KGB16	2kg 16 Gauge/1.6mm (120M) Black Annealed
RAP/2KGS	2kg 18 Gauge/1.2mm (220M) Stainless 304



*Reelfix wire is regarded by steel fixers as the premier wire, consistently soft, clean and perfectly wound. Plastic spools are made using 100% recycled materials and are fully recyclable when empty.*



## Reel and Belt Sets

In most cases, reel and belt sets are supplied free of charge to suit the number of steel fixers on, or expected on site. Order these as "Reel and Belt Sets" with initial wire order.

RAP/REEL	Dispensing Reel
REE/BELT	Heavy duty leather belt
REE/PAD	PVC reel support pad

## Tape/Nip Frog

Reelfix tape/nip frog will accommodate Crescent, Knipex and Channelock nips. Includes a handy extension for measuring tape.

REE/FROG	Reelfix tape/nip frog
----------	-----------------------



## Knipex End Cutting Pliers

Also in stock, Knipex nips. By far the most popular pliers amongst UK steel fixers

KNIPEX	Knipex 200mm End Cutting Pliers
--------	---------------------------------





# Case Studies

## South Hook LNG Terminal

When Taylor Woodrow was looking to streamline its steel fixing operation on this massive project, they called Reelfix. With over 200 operatives working around the clock on the slip-form platform, loose coils of tying wire were not an option. Reelfix provided the solution that would keep walkways clear of tying wire and allow steel fixers the freedom of movement they needed to work safely and efficiently. Over 10,000 Tonnes of reinforcement were fixed here, exclusively using Reelfix.



## Temple Quay Central

Temple Quay Central is part of an ongoing program of waterfront redevelopment in Bristol by Castlemore Securities, including residential, retail and office space where frame and civils contractor Michael J Gallagher constructed two, six storey concrete frames incorporating a basement car park. Gallaghers had their own team of 25 Steel Fixers on site to fix around 1900 Tonnes of rebar using the Reelfix System. The contractor initially trialed Reelfix in 2005 and now, as part of their rigorous health and safety policy and a drive to reduce waste, use the system across all M J Gallagher projects.



## Precast Facility

The advantages of using precast concrete units are reflected in its ever growing popularity. Prefabricating rebar on this scale requires efficiency, the right equipment and above all, a tidy, safe environment in which to work. Many precast yards find themselves highly reliant on mechanical tying devices and although these products offer similar safety benefits to Reelfix, the rebar tying gun is limited to one type of tie and consumables can be expensive. Both products use refill spools but as the figures below show, Reelfix provides over 1000% more ties per coil, than the rebar tier. The Reelfix system lends itself perfectly to this type of slick, repetitious operation, delivering a practical and cost effective solution for steel fixing in the precast industry.



## Reelfix Rapid System v Max RB395 Rebar Tier

Specification	Reelfix Rapid	Max RB395 Rebar Tier Figures from manufacturers specification
Wire	Stainless 304	TW897SS (Stainless)
Coil Length	220 Metres	95 Metres
Diameter	1.2mm (18 gauge)	0.8mm
Ties per coil	1400 approx	120 approx
Wire per tie	150mm approx	791mm approx

Source – max-tid.co.jp

# Awards

## Best New Safety Product 2007

Health and Safety Awards in association with HSE and Building Magazine

In June 2007, Reelfix picked up the award for Best New Safety Product at the Health and Safety Awards organised by the HSE and Building Magazine, in a glitzy ceremony at the Hilton Park Lane in London. The award was made, in recognition of the many health and safety benefits Reelfix has to offer, as well as how a seemingly simple product and a small change in work methods can greatly reduce waste, improve productivity and generally make the job easier and more civilised for the Steel Fixer.



Reelfix MD Mike Keen accepts Product of the Show Award (Equipment)

Reelfix picked up the prestigious "Product of the Show Award" at the Building Exhibition held in Dublin on 14th - 16th of September 2006. Despite some stiff competition from some massive names in the construction equipment market, the simplicity of design, ease of use and safety benefits of using the system won a unanimous decision from the judging panel of industry experts.

# Testimonials

*"The product has satisfied our expectations with regard to safety and with regard to the improved ergonomic work practice. A reduction in waste and loose wire around the feet of operatives has reduced incidents and housekeeping has significantly improved. The added bonus of user preference for the Reelfix system ensures the full efficiencies and safety improvements are a win win situation."*

**Alan Robinson** Safety Advisor – Amec  
SSN Berthing Project, Port Glasgow

*"Our steel fixers have been using Reelfix for the past 18 months and have found it easy to work with. Also we do not have any reported problems of trip hazards with this system. This is a very good product."*

**Alex Hinkins** Site Manager – Laing O'Rourke  
Ashford County Square

*"As a manager on site facing the constant battles of safety, any product to minimise the risk is always a good thing. Reelfix does reduce risk. One of the benefits I witnessed on site was the improvement in housekeeping, although the most important improvement was not having loose tying wire on the ground causing trips. The majority of the fixers saw the benefits of the system quite quickly and by the end of the project they were completely at home using the system."*

**Ben Bearcroft** Section Manager – Kier Build  
Bristol Harbourside and Fallsword School Oldham

*"I introduced the system onto our SCAN project and without exception all of our 20 man steel fixer resource took to it immediately. I really like Reelfix for its simplicity. Use of the system has created a working environment where there has been a remarkable absence of long straggling tying wire to be entangled with and trip on. Prefabrication areas look noticeably cleaner with only harmless short tails of wire on the floor. Insitu slab areas have been easier to blow out and be signed off for cleanliness in advance of concrete placement."*

**Jerry Corvin** Project Manager – Expanded  
SCAN Project – Manchester

*"I was very impressed by the concept. My belief was that we wanted to use Reelfix but left it to our operatives choice as this would be a major selling point. The subsequent results were positive. The guys wanted to use the reels and the common sight of waste wire causing a trip hazard was less evident to almost not at all. I now believe this product will revolutionise the way steel fixers work and will benefit the industry in safety and waste reduction."*

**Tom Finan** Construction Manager – Laing O'Rourke  
Celestia Project and International Sports Village Cardiff

*"Overall this system of Steel Fixing has proven to be both economical and acceptable to the Steel Fixers with the added bonus of improving safety on the project. As a result of this trial period, Reelfix has been adopted and used throughout this project since July 2005."*

**Patrick J Kilvington** Project Safety Manager – Taylor Woodrow  
South Hook LNG Terminal Pembrokeshire

## Free Site Trials

You can trial the Reelfix system on your project, with your own steel fixers absolutely free of charge. Call us on 0845 638 0733 with the project details and we'll send a free sample pack. Sample requests are also available on line at [reelfix.com](http://reelfix.com). Larger projects can benefit from larger scale trials to suit the number of steel fixers on site, also free of charge. Please call to discuss your requirements.

## Distribution

We work with some of the biggest names in the construction accessories and rebar supply markets, with a distribution network covering the UK and Ireland. Ask your preferred supplier or give us a call for your nearest distributor.

## Our Service

We offer next day delivery to most UK locations and offer a 2 day service to Ireland. Our sales team provide excellent customer service and full product support and are on hand, Monday to Friday 8.30am till 5pm. Reelfix representatives are also available for site visits on request.

## [reelfix.com](http://reelfix.com)

Full product information, demonstration video and FAQs are available on our website. You can also order sample packs or ask a question via our "Contact" page.

REELFIX Construction Products Ltd  
4 Quadeast  
Warne Road  
WestonsuperMare  
Somerset  
BS23 3TR

T: (44) 0845 638 0733  
F: (44) 0845 638 0734  
E: [info@reelfix.com](mailto:info@reelfix.com)

[reelfix.com](http://reelfix.com)



brochure design: [heltaskelta.com](http://heltaskelta.com)

# REELFIX RABP/D™